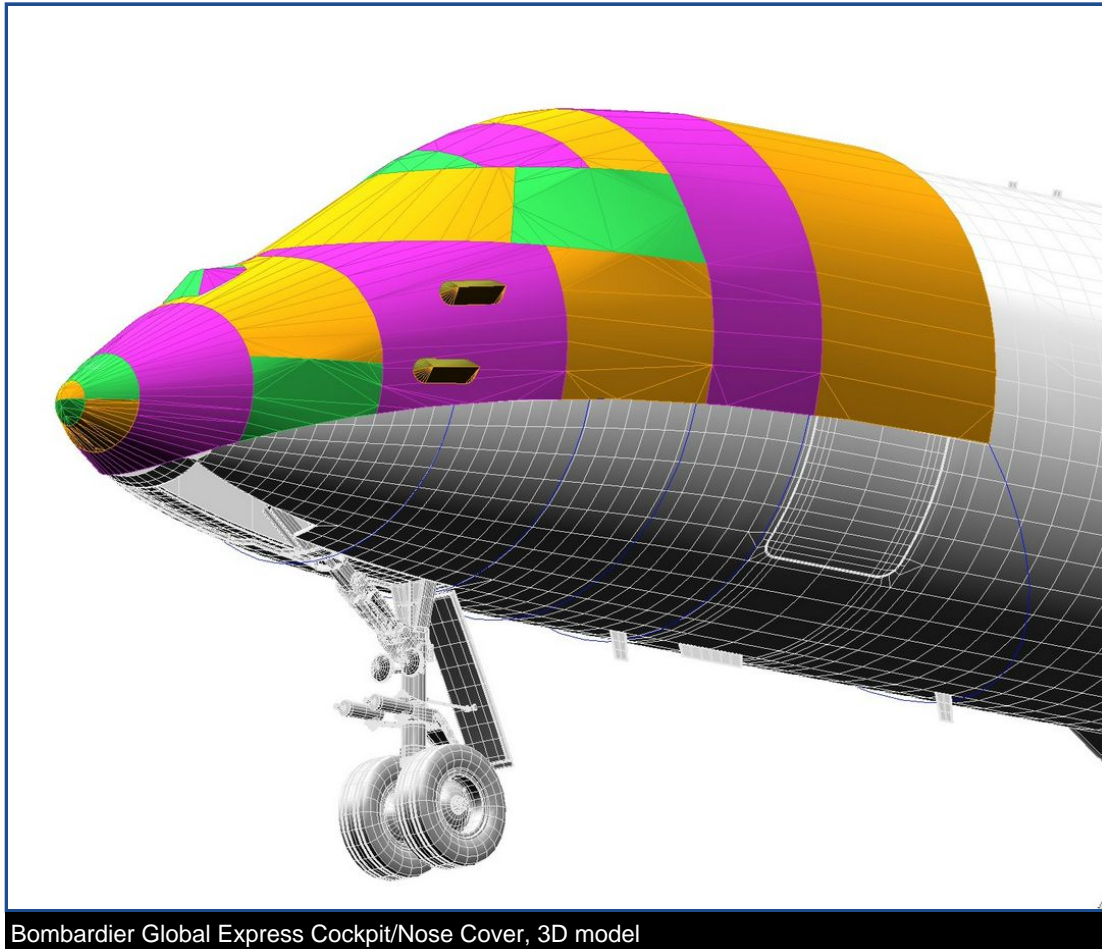


# Tech Sheet: Bombardier Global Express

(bombardier-GEX.pdf)



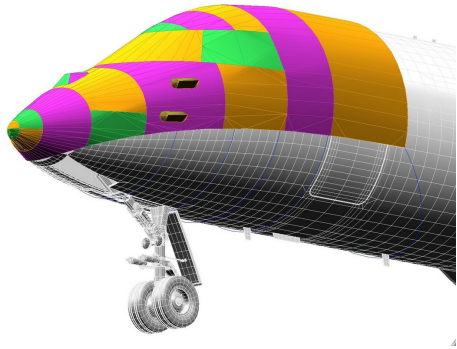
Bombardier Global Express Cockpit/Nose Cover, 3D model

## Section 1: Canopy/Cockpit/Fuselage Covers

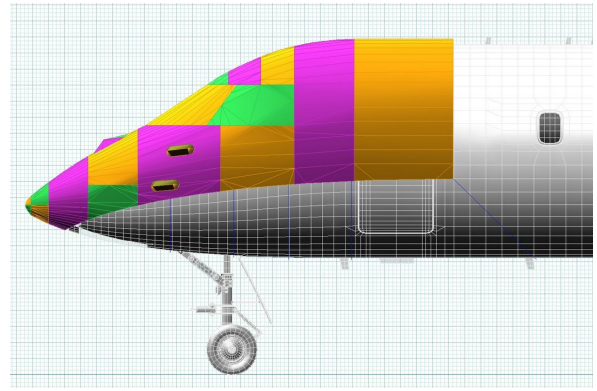
The **Bombardier Global Express Cockpit/Nose Cover** helps reduce damage to the upholstery and avionics caused by excessive heat and can eliminate problems caused by leaking door and window seals. They keep the windshield and window surfaces clean and help prevent vandalism and theft.

The **Bombardier Global Express Cockpit/Nose Cover** is designed to cover the windshield and side windows of the cockpit. Attachment buckles are made of nonmetal *Delrin*, designed for rugged outdoor use. The windshield cover comes with a duffel bag. The N-number can be imprinted onto the cover for an extra charge. The windshield cover is trimmed in the colors of the aircraft.

This cover type is made from Silver Acrylic Sunbrella canvas and is 100% lined with a soft and smooth microfiber. Bruce's Custom Covers developed this material combination especially for aircraft protection. The outer material is medium weight and treated for water resistance, UV resistance and anti-static buildup. The inner lining is a very soft and smooth microfiber to prevent scratching. The material is very reflective, and tests show that the cabin interior temperature can be reduced to near-ambient temperature on the hottest of days. It is water, ice and snow repellent, yet breathable to allow moisture to escape from between the cover and the aircraft surface.



Bombardier Global Express Cockpit/Nose Cover, 3D model



Bombardier Global Express Cockpit/Nose Cover, 3D model

Description	Part Number	Price
COCKPIT/NOSE COVER	<b>GEX-010</b>	<b>\$3685.00</b>

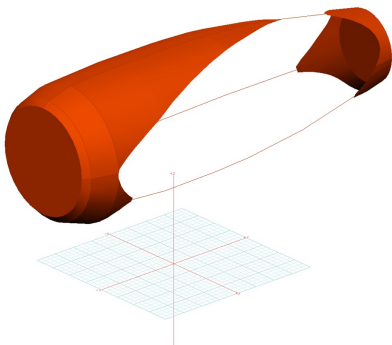
## Section 2: Engine/Prop Covers

**3-Strap Engine Covers** are designed to install easily yet be completely storable. These soft covers feature a strap across the top of the nacelle, and two tightening straps along each side of the nacelle belly. 3-Strap Covers are designed to be left-right interchangeable, and are intended for long term use out of doors. They are made of medium weight Solution-Dyed Polyester which is available in a variety of colors. The aircraft's registration number can be silkscreened onto the cover for an extra charge.

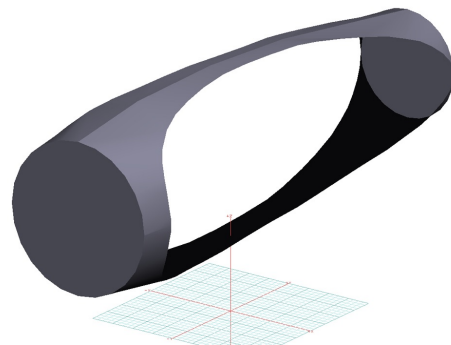
**ALL-YEAR USE MATERIAL** - Made with Solution dyed Polyester fabric, the all-year use material is the best option for sun protection and cover longevity. This heavier more durable material is intended for all weather conditions, such as rain and snow or lots of sun.

The **Bombardier Global Express Bikini Style Engine Covers** are a single-piece design using a soft and smooth stretchy fabric. The cover stretches tightly over both the intake and exhaust, installing quickly and easily. These covers are designed to be used as hangar dust covers and have a useful life of approximately one year.

The **Bombardier Global Express Intake Covers** are designed to install easily yet be completely storable. A spring steel hoop is sewn into the hem of each cover, allowing them to be installed without climbing onto the wing or using a stepladder. To store the covers the spring steel hoop folds like a band-saw blade into three nesting rings. Each cover folds into a compact circular bundle which is stored in the included duffle bag, yet they unfold quickly for use. The Tri-Fold Ring cover is made of medium weight nylon which is available in a variety of colors to match the paint trim. Each cover set comes complete with installation and folding instructions. The aircraft's registration number can be silkscreened onto the cover for an extra charge.



Challenger 300 Intake/Exhaust Cover Set, 3-strap type



Gulfstream G550 Engine Covers, Bikini Type (3D Model)

Description	Part Number	Price
INTAKE COVERS, OEM design w/ pit pins (set of 2)	<b>GEX-101</b>	<b>\$2075.00</b>
ENGINE COVERS, Hangar Use, Bikini Type (set of 2)	<b>GEX-105</b>	<b>\$785.00</b>
INTAKE/EXHAUST COVERS, 3-strap type with banding (set of 2)	<b>GEX-140</b>	<b>\$2680.00</b>

### Section 3: Plugs & Protection

**Bombardier Global Express Heat Resistant Pitot Tube Covers**, are made of Naugahyde vinyl, and lined with a non-burning material. They are designed to cover the entire pitot assembly, slipping over the tube and tightening around the base with a Velcro strap detail. A "Remove Before Flight" streamer is attached to the cover. **Heat Resistant Pitot Covers** are an upgrade to our standard design, and help prevent the pitot cover from melting onto the tube if the pitot heat is accidentally turned on while installed. If you want the set tethered together, please let us know.

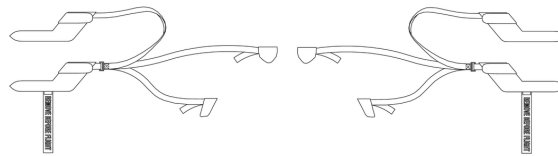
The **Engine Exhaust Plugs** are custom fit for your Bombardier Global Express exhaust openings, made with heavy-duty vinyl material, and stuffed with a single block of sculpted urethane foam. Each plug has a zipper that allows the foam to be removed and dried if necessary. Exhaust plugs have 'remove before flight' streamers sewn onto the face of the plugs. Most plugs are imprinted with the aircraft registration number in black for an extra charge. Exhaust plugs may be inserted soon after flight when the engine is still warm. Engine Inlet Plugs are commonly referred to as Cowl Plugs, Intake Plugs, Cowl Blocks, Engine Blocks, and Engine Bungs.

The **Engine Inlet Plugs** are custom fit for your Bombardier Global Express intakes, made with heavy-duty vinyl material, and stuffed with a single block of sculpted urethane foam. Each plug has a zipper that allows the foam to be removed and dried if necessary. Engine plugs have 'remove before flight' streamers sewn onto the face of the plugs. Most plugs are imprinted with the aircraft registration number in black for an extra charge. Storage bag NOT included. Engine plugs may be inserted after flight when the engine is still warm. Engine Inlet Plugs are commonly referred to as Cowl Plugs, Intake Plugs, Cowl Blocks, Engine Blocks, and Engine Bungs.



BD-700-1A10 Pitot Cover Set

## GEX-311



Bombardier Global Express Pitot Cover/Ice Detector/Aoa Cover Set, Heat Resistant Type

Description	Part Number	Price
EXHAUST PLUGS, folding type (set of 2)	<b>GEX-102</b>	<b>\$1380.00</b>
INTAKE PLUGS, folding type (set of 2)	<b>GEX-104</b>	<b>\$2470.00</b>
APU EXHAUST PLUG	<b>GEX-270</b>	<b>\$315.00</b>
NACA PLUGS (set of 2)	<b>GEX-275</b>	<b>\$225.00</b>
PITOT COVER SET, heat resistant type (set of 4)	<b>GEX-301</b>	<b>\$655.00</b>
PITOT COVER/ICE DETECTOR/AOA COVER SET, heat resistant type (set of 8)	<b>GEX-311</b>	<b>\$855.00</b>

STORAGE BAG for INTAKE PLUG SET

GEX-800

\$200.00

STORAGE BAG for EXHAUST PLUG SET

GEX-805

\$180.00

#### Section 4: Wing/Tail/Empennage Covers

**Horizontal Stabilizer Covers** are a perfect solution to protect your paint from sun damage and prevent frost, snow, ice buildup, and corrosion. They are made from Solution-Dyed Polyester or Acrylic *Sunbrella*. They cover the entire upper surface of the stabilizers and overlap around the leading and trailing edges as well as the wing tip. The covers secure under each stabilizer with adjustable straps. In some instances, cut-outs are made in the trailing edge of the wing covers to accommodate static wicks. Horizontal Stabilizer Covers are available for winter use or long-term all year use, and are normally made from Solution-Dyed Polyester or Acrylic *Sunbrella*. A Hail Protection version can be made which incorporates dense closed cell foam into the entire upper surface of the wing covers to help prevent hail damage. Although these covers are bulky, they do help protect your wing and control surfaces against small to medium-size hail.

**ALL-YEAR USE MATERIAL** - Made with Silver Acrylic Sunbrella canvas, the all-year use material is the best option for sun protection and cover longevity. This heavier more durable material is intended for all weather conditions, such as rain and snow or lots of sun.

**WINTER USE MATERIAL** - Made with Solution-Dyed Polyester fabric, this option is intended for seasonal use to aid in deicing, rain mitigation, or for occasional travel. The material is lighter and more compact, but more susceptible to UV damage and may have a shorter useful life if used continuously outside than the all-year use material.

The **Bombardier Global Express Wing Covers** are a perfect solution to protect your paint from sun damage and prevent winter frost, snow, ice buildup, and corrosion. They are made from Solution-Dyed Polyester or Acrylic *Sunbrella* and form-fit to slip around each wing tip, cover the entire upper surface of the wing and wrap around the leading and trailing edges. The covers secure under the wing with adjustable straps from the trailing edge to the leading edge. The wing covers can also attach to each other with adjustable straps at the leading and trailing edges of the wing under the belly of the plane. In some instances, cut-outs are made in the trailing edge of the wing covers to accommodate static wicks. We have the ability to also accommodate wing tip modifications, such as STOL kits, droop tips, and vortex generators. Wing covers are labeled LEFT and RIGHT for your convenience. Wing Covers are available for winter use or long-term, all-year use. A Hail Protection version can be made which incorporates very dense closed cell foam into the entire upper surface of the wing covers to help prevent hail damage. Although these covers are bulky, they do help protect your wing and control surfaces against small to medium-size hail.

**ALL-YEAR USE MATERIAL** - Made with Silver Acrylic Sunbrella canvas, the all-year use material is the best option for sun protection and cover longevity. This heavier more durable material is intended for all weather conditions, such as rain and snow or lots of sun.

**WINTER USE MATERIAL** - Made with Solution-Dyed Polyester fabric, this option is intended for seasonal use to aid in deicing, rain mitigation, or for occasional travel. The material is lighter and more compact, but more susceptible to UV damage and may have a shorter useful life if used continuously outside than the all-year use material.



Gulfstream G550 Wing/Winglet Covers



Gulfstream G550 Wing/Winglet Covers



Description	Part Number	Price
WING & WINGLET COVERS, all year use (set of 2)	<b>GEX-200</b>	<b>\$10280.00</b>
WING & WINGLET COVERS, winter use (set of 2)	<b>GEX-201</b>	<b>\$9985.00</b>
WING COVERS (not the winglet), all year use (set of 2)	<b>GEX-202</b>	<b>\$9680.00</b>
WING COVERS (not the winglet), winter use (set of 2)	<b>GEX-203</b>	<b>\$9500.00</b>
HORIZONTAL STABILIZER COVERS, all year use (set of 2)	<b>GEX-250</b>	<b>\$2175.00</b>

## Section 5: HeatShields & Sun Reflectors

**Cockpit Heatshields** are interior sunshades for the aircraft's cockpit. The product is a unique composite of closed-cell foam with a silver mylar finish. The semi-rigid design is stiff enough to stand inside the window framing. The set folds up flat and is easily stored in the included storage sleeve. Some designs may require velcro and suction cups. Our Heatshields for jets are offered white side out because some aircraft manufacturers have issued advisories against reflective window inserts due to potential heat damage. A Heatshield is an excellent short-term remedy for cockpit overheating, but an external fabric cover is more effective for long-term protection.



Gulfstream Cockpit Heatshields

Description	Part Number	Price
COCKPIT HEATSHIELDS (set of 4)	<b>GEX-900</b>	<b>\$405.00</b>

## Section 6: Miscellaneous Products

**Tire or Wheelpant Covers** are designed to protect the wheelpants, or the tires and wheels, from sun damage and damage from the tow bar when moving the airplane.

**ALL-YEAR USE MATERIAL** - Made with Silver Acrylic Sunbrella canvas, the all-year use material is the best option for sun protection and cover longevity. This heavier more durable material is intended for all weather conditions, such as rain and snow or lots of sun.



Throttle Grip Cover



Falcon 2000 Winglet Pad

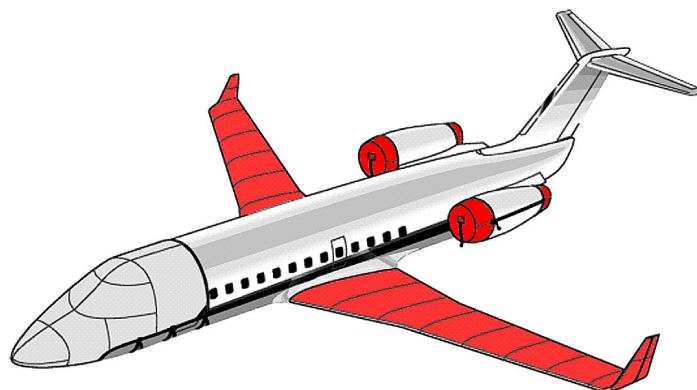
Description	Part Number	Price
WINGLET PADDING COVERS (set of 2)	<b>GEX-210</b>	<b>\$955.00</b>
WINGLET COVERS (w/ Installation tool) (set of 2)	<b>GEX-211</b>	<b>\$1220.00</b>
THROTTLE GRIP COVER	<b>GEX-400</b>	<b>\$100.00</b>
NOSE GEAR TIRE COVERS (set of 2)	<b>GEX-450</b>	<b>\$440.00</b>
MAIN GEAR TIRE COVERS (set of 4)	<b>GEX-455</b>	<b>\$850.00</b>

## Section 7: Light Weight Products: Travel Covers and FlyAway Covers

The **Bombardier Global Express Cockpit/Nose Cover** helps reduce damage to the upholstery and avionics caused by excessive heat and can eliminate problems caused by leaking door and window seals. They keep the windshield and window surfaces clean and help prevent vandalism and theft.

The **Bombardier Global Express Cockpit/Nose Cover** is designed to cover the windshield and side windows of the cockpit. Attachment buckles are made of nonmetal *Delrin*, designed for rugged outdoor use. The windshield cover comes with a duffle bag. The N-number can be imprinted onto the cover for an extra charge. The windshield cover is trimmed in the colors of the aircraft.

This cover type is made from Silver Acrylic Sunbrella canvas and is 100% lined with a soft and smooth microfiber. Bruce's Custom Covers developed this material combination especially for aircraft protection. The outer material is medium weight and treated for water resistance, UV resistance and anti-static buildup. The inner lining is a very soft and smooth microfiber to prevent scratching. The material is very reflective, and tests show that the cabin interior temperature can be reduced to near-ambient temperature on the hottest of days. It is water, ice and snow repellent, yet breathable to allow moisture to escape from between the cover and the aircraft surface.



Exterior Covers for the Bombardier Global Express

Description	Part Number	Price
TRAVEL COVER, Light Weight Travel Cockpit/Nose Cover	<b>GEX-810</b>	<b>\$3935.00</b>

**Prices subject to change. Other Covers and Design Alterations: Prices on request.**  
**Prices are FOB Morgan Hill, CA. Sales tax on orders shipped to California addresses. Orders take approximately 3 weeks to complete. For domestic orders we normally ship by UPS ground service. Next day shipping and air parcel post is available on request. We can take payment by Visa, Mastercard, American Express, or Discover.**

**Bruce's Custom Covers offers protective covers and plugs for virtually every type of airplane, jet and helicopter. If you have questions about our products please call any time TOLL FREE: 800/777-6405, or FAX: 408/738-2729.**



A division of Aircraft Covers, Inc.

18850 Adams Ct.  
Morgan Hill, CA 95037  
www.AircraftCovers.com

## Aircraft Cover Ordering Form

Customer Info	Name _____ Shipping Address _____ _____ Phone & Email _____
Payment	Credit Card Number <input type="text"/> <input type="text"/> <input type="text"/> <input type="text"/> <input type="text"/> <input type="text"/> <input type="text"/> <input type="text"/> <input type="text"/> <input type="text"/> <input type="text"/> <input type="text"/> <input type="text"/> <input type="text"/> <input type="text"/> <input type="text"/> <input type="text"/> Exp. Date <input type="text"/> <input type="text"/> / <input type="text"/> <input type="text"/> V-Code* <input type="text"/> <input type="text"/> <input type="text"/> <input type="text"/> <small>*Visa, Mastercard, Discover: last 3 numbers on back of card, right of signature. Amex: 4 smaller numbers printed on face of card.</small>
A/C Info	Reg / Tail Number: _____ Aircraft Type: _____ Year: _____ Colors / Paint Scheme (be specific): _____

**Please specify below the items you would like to order.**  
See technical sheet or visit our website for part numbers (or just fill in the description)

	Part Number	Quant	Description	Price
1				
2				
3				
4				
5				
6				
7				
8				
9				
10				

**Optional Items (check the box of the item you want)**

Imprint aircraft registration number onto both sides of canopy cover.....\$35.00

Imprint aircraft registration number onto jet intake covers.....\$55.00

TOTAL